



By Appointment to H.M. the Queen, Building Material Manufacturers  
Sovereign Chemicals Limited, Barrow in Furness

fitting and operation manual

# autoconcure

# 20/20



making light work of condensation



**SOVEREIGN**  
The Gold Standard in Building Products

# autoconCure

## 20/20

Costing as little as three pence per day to operate, Sovereign's Auto ConCure 20/20 'Positive Input Ventilation' unit provides a constant stream of warm, fresh, filtered air that raises the Dew Point, ventilates the home and offers a highly effective solution to damp problems caused by condensation.

Quickly and easily fitted in the loft with some simple electrical work, the Auto ConCure 20/20 circulates naturally warm, filtered air from the loft space around the home, mixing up with the warm air near ceilings to raise the 'Dew Point', substantially reducing the risk of condensation.

In cold weather when the loft air temperature drops below 10°C the Auto ConCure 20/20 unit automatically uses a cost-effective pulse heating system to warm the incoming air. This avoids the necessity of some PIV units being turned off when most needed to avoid chilly draughts around the home.

The unit is ideal for most domestic properties, and also for second or holiday homes that are used infrequently. The constant stream of ventilation means the property will always be well aired and welcoming.

### **This Pack should contain:**

- 1x Auto ConCure 20/20 unit
- 1x Cardboard Diffuser Template
- 1x Diffuser
- 2x Wooden Battens with Fixings
- 1x Unswitched Fuse Spur
- 1x Heater Enabler Switch
- 1x 1m x 200mm Flexi Duct
- 1x Tape and Zip Tie



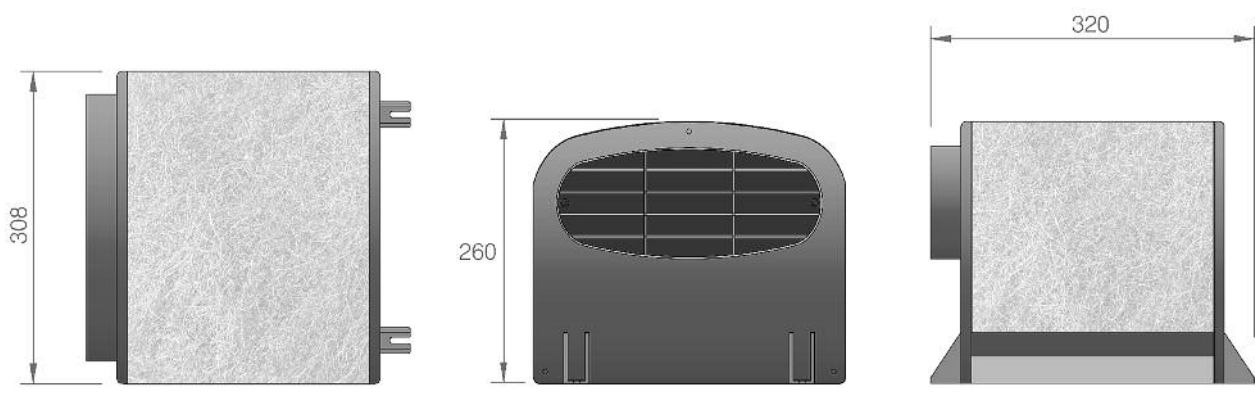
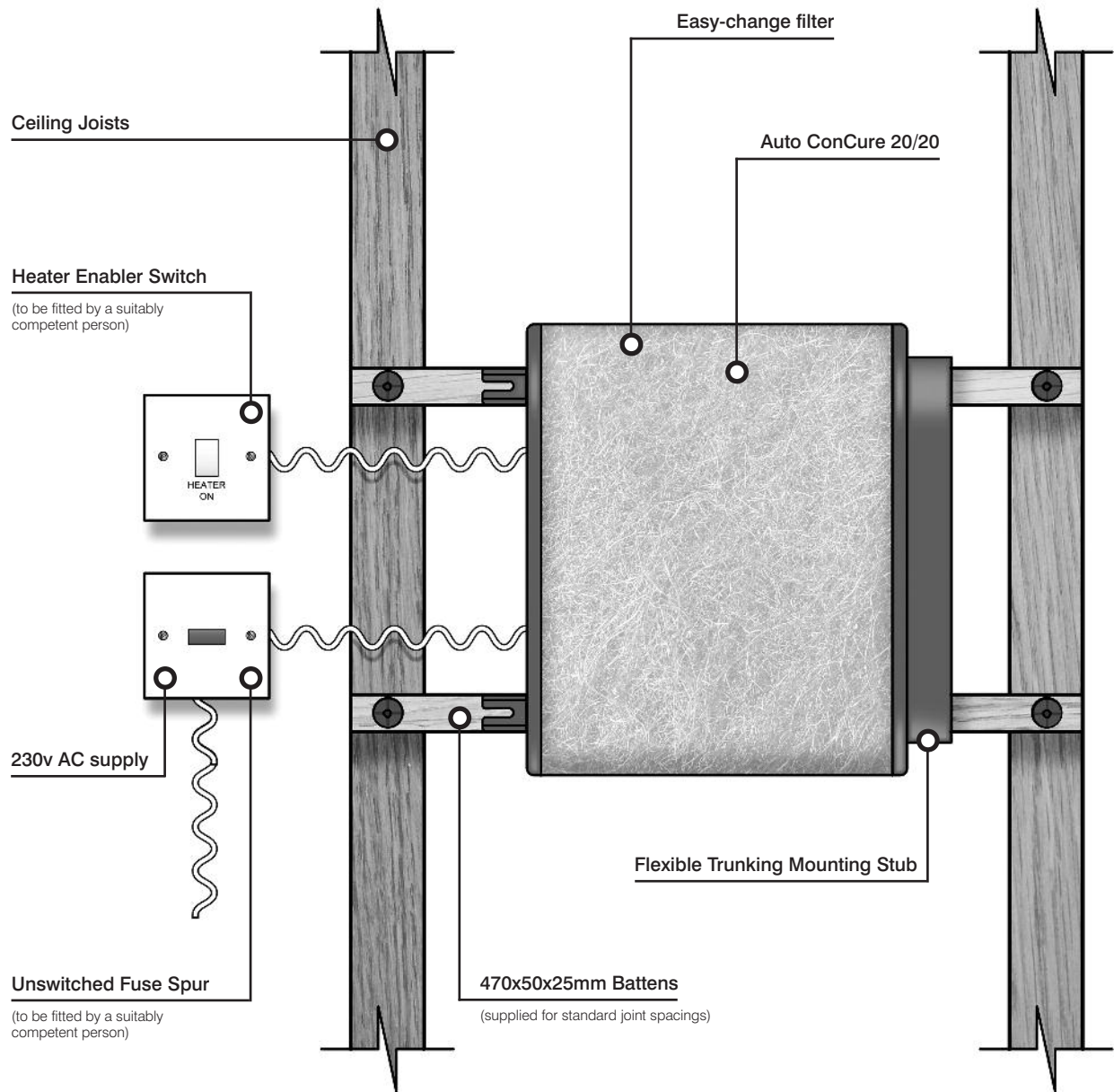
## suitability and pre-installation notes

**The following information will help you ascertain if a loft-mounted Sovereign Auto ConCure 20/20 is suitable for fitting into the property you are working on:**

1. Is there suitable access to loft? Will the unit fit through the hatch? (minimum size 320mm x 308mm x 260mm).
2. If the property has an integrated fire barrier then this should not be breached, unless precautions are taken to maintain the integrity of the system.
3. Can the unit be safely fitted? ...That is without anybody falling through ceiling.
4. In a terraced/semi-detached property, is there a completely closed fire break (without any gaps) between the properties? If not, inform the occupiers - the unit can still be fitted, as long as a permanently wired smoke alarm is fitted and working in the loft space. When activated, this alarm **MUST** isolate the electric supply to the Sovereign Auto ConCure 20/20 unit.
5. Ensure there is adequate cross ventilation within the loft space. There must be a minimum height of 1 metre, otherwise performance of the unit will be compromised. Most existing loft spaces will be acceptable, as they are rarely airtight. However, if there is condensation in the roof space then further investigation by professionals is required before proceeding.
6. Are there any chimney flue(s) running through the loft space and are these in use? If so, it is important to check to ensure there is no leakage of fumes into the loft space from defective pointing/joints etc. This could be very dangerous as any leaking fumes or carbon monoxide could be dragged back into the property.
7. Ceilings: Check for any holes in the ceiling between the loft space and the floor below, these will allow leakage of circulated air back into the loft space - these holes must be repaired and the loft hatch should provide a seal.
8. The diffuser/vent should ideally be fitted in the centre of the ceiling above the landing (or hallway in a bungalow) and must be at least 1 metre away from any smoke detector.
9. The unit must be connected to the mains electric supply by a suitably competent person, otherwise not only will Sovereign's ConCure Guarantee be null and void, but there may also be a Health & Safety risk through any incorrect installation.
10. The unit must be clear of any roof insulation.
11. Whilst the Sovereign Auto ConCure 20/20 unit will assist with background condensation, we would also recommend the use of extractor fans in the bathroom/shower areas and kitchens to prevent high levels of moisture or odours moving around the house. These fans should ideally have a timer or an integral humidity tracking system which will enable the fan to automatically increase/decrease speed in direct correlation with the relative humidity. However, the Sovereign Auto ConCure 20/20 will assess air flow every hour and will, if necessary, adjust the speed to maintain a positive pressure within the property, combatting increases in background humidity.

Lifestyle changes, such as avoiding drying clothes indoors, not using Calor gas/paraffin heaters and venting tumble dryers directly outside the property, will also be required to deliver the best results.

# the auto concure 20/20 unit



# read ALL the instructions FIRST!

## installation instructions

**Prior to site installation it is prudent to connect the three core cable to a power supply and check the unit is working.**

1. The Sovereign Auto ConCure 20/20 unit must only be installed by a competent person and should be connected to an electrical supply in accordance with the current electrical regulations.
2. Before commencing: Position a dust sheet beneath the site you have chosen for cutting the hole for the diffuser. Check lighting is sufficient to work and that a safe working position can be established. Protect your lungs with a dust mask; enter the loft space with the Sovereign Auto ConCure 20/20 unit, checking there are no obstructions to your chosen position for the diffuser, such as wiring. Using the template supplied mark the hole for the diffuser and cut the hole in the ceiling.
3. Slide a wooden batten on to each end of the Sovereign Auto ConCure 20/20 unit, ensuring the unit stands firmly on the foam mounts. The wooden battens can then be laid across the joists and screwed down securely. Fit the flexible trunking to the Sovereign Auto ConCure 20/20 outlet and secure to the vent stub on the unit using the tape and/or cable tie provided. Feed the loose end of the trunking through the hole previously cut in the ceiling.
4. Return to the hallway and connect ducting onto the neck of the diffuser using the tape provided. Push ducting through the hole in the ceiling. Ensure the diffuser is positioned correctly with the walls of the hallway and adjust if necessary. Read the diffuser fitting instructions and then fix the diffuser in position using plasterboard plugs and the screws provided.
5. The Sovereign Auto ConCure 20/20 three core cable and 3 Amp Fused Switch Box should now be connected to a suitable lighting circuit by a suitably competent person (whilst this is a simple job, if it is carried out by an unskilled person it will void the Sovereign ConCure Guarantee and may result in dangerous wiring). This appliance **MUST** be earthed.
6. Connect the two core SELV Enabler On/Off Switch Box and locate in a suitably accessible position in the loft, rather than the landing/hallway where it may be inadvertently switched off.
7. Switch the Sovereign Auto ConCure 20/20 unit on and wait 3 minutes whilst it checks the air speed. If turned on for the first time, the unit will commence at the P1 speed setting. It can be adjusted up to match the size of the home by pressing the push button on the control panel once the display is showing the hours the unit has run. A minute after the new speed has been selected, the machine will check the air speed and adjust the fan motor for the new speed selected. This process may take up to 3 minutes. Check the filter is securely in place and that the unit is working correctly.
8. **If you have any questions please contact the Sovereign Technical Department, 01229 870 800.**



## fitting your diffuser

The diffuser is supplied with clip-in blanking plates that are designed to deflect air away from walls that are within approximately 1 metre from the diffuser. This has a significant affect in reducing drafts.

- A Choose the ideal position for the diffuser – taking into account the position of the unit above. If necessary use the blanking plates.
- B Cut hole, using template, mark fixing positions of screws and drill holes.
- C Push fixing plugs into holes.
- D Fix/tie/tape trunking to diffuser ring and push through hole – tighten screws.
- E Screw diffuser ring lightly allowing for a suggested air gap of approximately 30mm to be achieved - and ensure squareness.

## operational notes

After the initial assessment has been made and the appropriate speed selected, the intelligent electronics will ensure the speed and output are maintained continually.

Under normal circumstances no maintenance will be required for the next four years. The easily changed G4 filter will need replacing by year five.

In the event of a power failure the unit will automatically restart when electricity is restored. At this time it will automatically will re-assess the requirements then resume the process.

# 5 year warranty

The Sovereign Auto ConCure 20/20 has the benefit of a comprehensive no quibble FIVE year warranty that covers correctly installed units, regardless of ownership. This Warranty covers any defect or breakdown that arises due to faulty materials or construction.

There is no requirement to re-assign the guarantee on change of property ownership.

In the event of a problem with the unit, in the initial instance the Installation Contractor detailed on the Warranty should be contacted. Should the problem remain unresolved please contact the Sovereign Technical Department on 01229 870 800.

## product registration

The Certificate of Warranty opposite must be completed correctly and returned to Sovereign where it will be embossed with the Company Seal and the product registered, before being returned to the unit owner. In order to prevent fraudulent copies only Certificates embossed by Sovereign will be accepted for claims.

### Warranty Conditions and Exclusions:

1. The Sovereign Auto ConCure 20/20 must be correctly installed and operated according to the instructions provided.
2. The Sovereign Auto ConCure 20/20 Warranty will be rendered invalid if the system has been serviced, maintained, repaired, dismantled or tampered with by unauthorised personnel.
3. The Warranty does not cover problems resulting from accidental damage, misuse or abuse.
4. This Warranty is in addition to your statutory or legal rights.
5. This Warranty is only valid if payment of the Contractor's invoice has been made in full, within 28 days of the date of submission of the invoice.

# autoconcure 20/20

## certificate of warranty

**FREE, no quibble FIVE Year Sovereign Auto ConCure 20/20 parts and labour Warranty:**

### the contractor

Contractor Name: \_\_\_\_\_

Sovereign Account No: \_\_\_\_\_

Contractor Address: \_\_\_\_\_

Postcode: \_\_\_\_\_

Contractor Telephone No: \_\_\_\_\_

Installation Date: \_\_\_\_\_

Name and Address of Installer, if different to above: \_\_\_\_\_

Postcode: \_\_\_\_\_

Installer Telephone No: \_\_\_\_\_

Auto ConCure 20/20 Serial No: \_\_\_\_\_ Installation Date: \_\_\_\_\_

### the householder

Householder Name, at time of fitting: \_\_\_\_\_

Property Address: \_\_\_\_\_

Postcode: \_\_\_\_\_

Contact Telephone No: \_\_\_\_\_

**very important:** Any claim made under this Sovereign Auto ConCure 20/20 Five Year Warranty can only be accepted on production of this ORIGINAL document, including the **embossed** Sovereign Company Seal. A prior discretionary assessment fee - refunded if the claim is deemed valid - is required where an inspection is considered unwarranted or time wasting.

**This Warranty is subject to the following Conditions and Exclusions:**

1. Must be correctly installed and operated according to instructions provided.
2. Warranty will be invalidated if the system has been serviced, maintained, repaired, dismantled or tampered with by unauthorised personnel.
3. The Warranty does not cover problems resulting from accidental damage or abuse.
4. The Warranty is in addition to your statutory or legal rights.
5. The Warranty is only valid if payment of the Contractor's invoice has been in full, within 28 days of the date of the invoice.

Sovereign  
Company  
Seal Here

**This form MUST be correctly completed and returned to Sovereign in the prepaid envelope supplied within 28 days of installation.**



## further information

If you have any questions relating to fitting or operation of the Auto ConCure 20/20, simply call 01229 870 800, email [concrete@sovchem.co.uk](mailto:concrete@sovchem.co.uk) or visit [www.sovchem.co.uk](http://www.sovchem.co.uk)

## sovereign chemicals

Founded in 1965, Sovereign Chemicals Limited has long been recognised as a respected name in the manufacture and supply of products and equipment for the building and construction industry. The Company is the sector's acknowledged leader in the development and supply of specialist materials and systems for damp proofing, structural waterproofing and timber preservation.

Sovereign offers a comprehensive range of both remedial and general building products that combine unrivalled specifications and reliability with authoritative, helpful technical support. At Sovereign we pride ourselves on offering top quality products manufactured in Britain to exacting formulations at our own Barrow-in-Furness site in Cumbria.

We are committed to continually improving both our extensive product range and our already excellent levels of service; helping ensure we match the demands and requirements of every customer. The sheer quality of Sovereign products is reflected in our coveted Queen's Royal Warrant. It was awarded in 1987 in recognition of the great success with which our building products had been used at several Royal residences.

Our Royal seal of approval is complimented by our British Standards Institution Registered Firm status. This is one of the highest accolades that any company active in industry can hope to achieve. The Company satisfies the demanding requirements of BSEN ISO 9001/9002 for its manufacturing systems and product quality. Sovereign was the first Company in the damp proofing field to gain BSI approval for its whole range of products.



Sovereign Chemicals Ltd, Park Road, Barrow-in-Furness LA14 4EQ. [sales@sovchem.co.uk](mailto:sales@sovchem.co.uk)

**01229 870 800** [www.sovchem.co.uk](http://www.sovchem.co.uk)