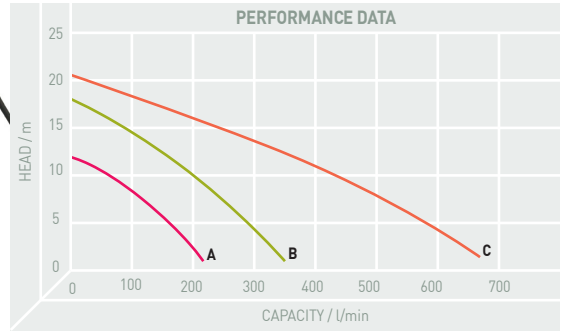


## Submersible Drainage Pump

### Features:

- Cast iron volute casing
- High abrasive resistance resin vortex impeller
- Double mechanical seal
- Agitator

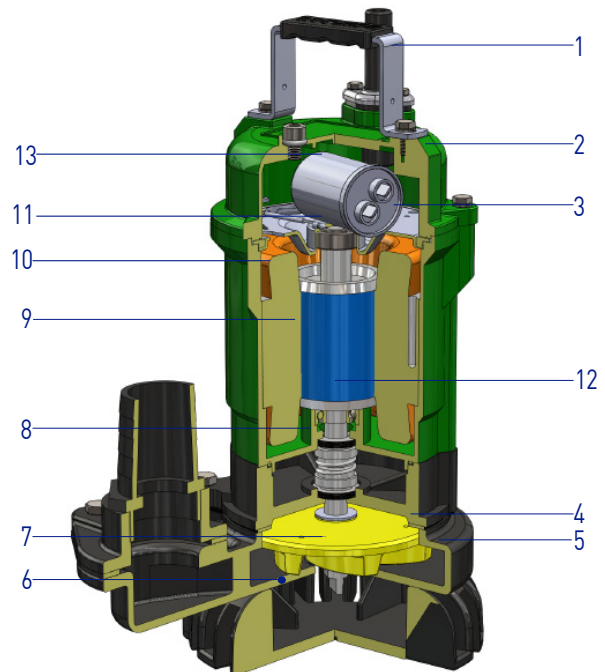


## TECHNICAL SPECIFICATION

| PUMP TYPE  | PRODUCT CODE  | CURVE | OUTPUT |      | DISCHARGE |      | RATED  |              | MAXIMUM |              | FREE PASSAGE mm | CABLE | WEIGHT kg |
|------------|---------------|-------|--------|------|-----------|------|--------|--------------|---------|--------------|-----------------|-------|-----------|
|            |               |       | AMP    | kW   | mm        | inch | HEAD M | CAPACITY LPM | HEAD M  | CAPACITY LPM |                 |       |           |
| T400 110V* | PH/T400/110V  | /A    | 6      | 0.4  | 50        | 2    | 8      | 110          | 12      | 220          | 7               | 10    | 13        |
| T400 230V* | PH/T400/230V  | /A    | 3      | 0.4  | 50        | 2    | 8      | 110          | 12      | 220          | 7               | 10    | 13.5      |
| T750 110V* | PH/T750/110V  | /B    | 11     | 0.75 | 50/80     | 2/3  | 10     | 200          | 18      | 350          | 7               | 10    | 15.5      |
| T750 230V* | PH/T750/230V  | /B    | 5.4    | 0.75 | 50/80     | 2/3  | 10     | 200          | 18      | 350          | 7               | 10    | 15.8      |
| T1500 110V | PH/T1500/110V | /C    | 26     | 1.5  | 50/80     | 2/3  | 16     | 243          | 21      | 670          | 7               | 10    | 19.3      |
| T1500 230V | PH/T1500/230V | /C    | 12     | 1.5  | 50/80     | 2/3  | 16     | 243          | 21      | 670          | 7               | 10    | 19.6      |
| T1500 400V | PH/T1500/400V | /C    | 4      | 1.5  | 50/80     | 2/3  | 16     | 243          | 21      | 670          | 7               | 10    | 19.3      |

## PARTS AND MATERIAL LISTS

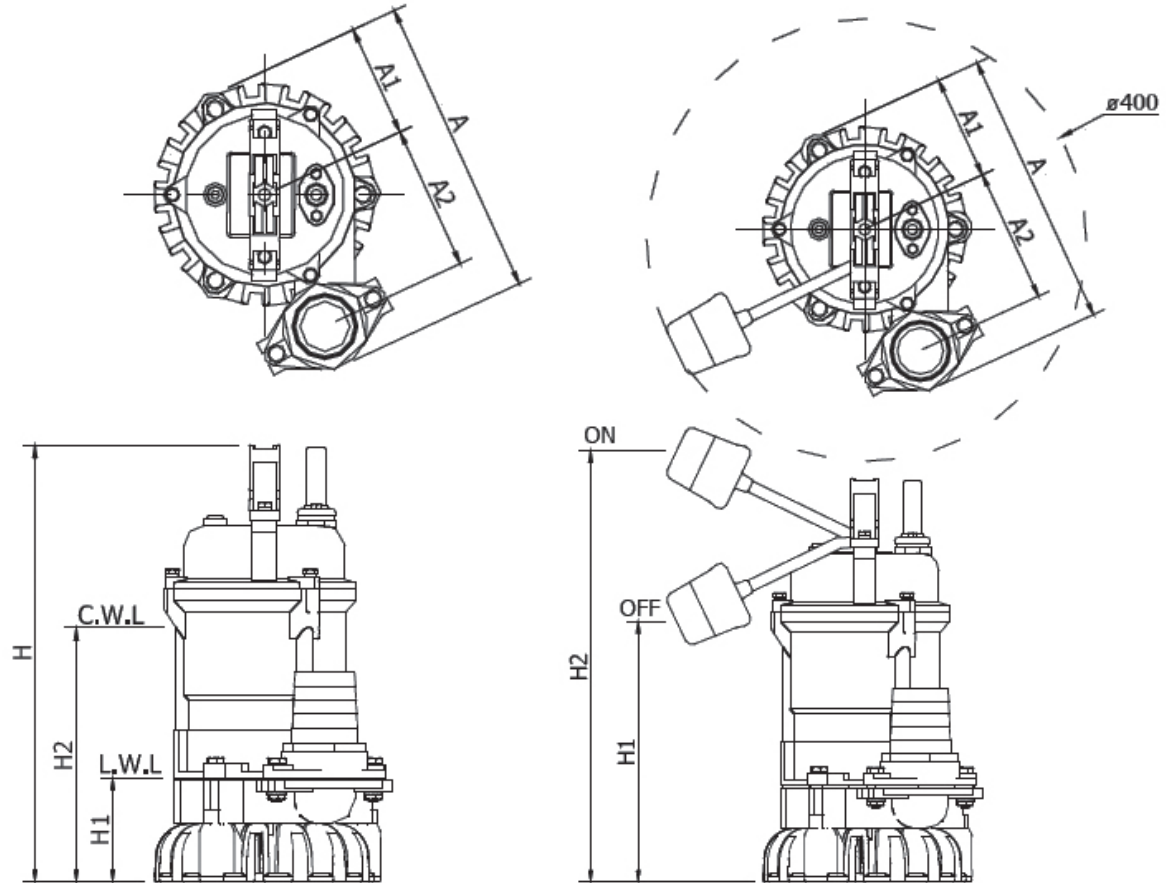
| PARTS & MATERIAL LIST |                          |                                |
|-----------------------|--------------------------|--------------------------------|
| NUMBER                | PART                     | MATERIAL                       |
| 1                     | HANDLE                   | NYLON 6                        |
| 2                     | MOTOR COVER              | ADC12                          |
| 3                     | END BRACKET              | SECC                           |
| 4                     | IMPELLER                 | URETHENE RUBBER                |
| 5                     | PUMP CASING              | FC-200                         |
| 6                     | STRAINER                 | PVC                            |
| 7                     | AGITATOR                 | SMF 5030                       |
| 8                     | MECHANICAL SEAL          | UPPER: CA/CE<br>LOWER: SIC/SIC |
| 10                    | SHAFT                    | SUS 410                        |
| 11                    | MOTOR HOUSING AND STATOR | ADC12                          |
| 12                    | UPPER BEARING            |                                |
| 13                    | LOWER BEARING            |                                |
| 14                    | CAPACITOR                |                                |



DIMENSIONAL DRAWINGS

## Submersible Drainage Pump

### DIMENSIONAL DRAWINGS



| TYPE       | A   | A1  | A2  | H   | H1 | H2  | AUTOMATIC VERSIONS |     |
|------------|-----|-----|-----|-----|----|-----|--------------------|-----|
|            |     |     |     |     |    |     | H1                 | H2  |
| T400 110V* | 243 | 94  | 117 | 352 | 84 | 200 | 200                | 400 |
| T400 230V* | 243 | 94  | 117 | 352 | 84 | 200 | 200                | 400 |
| T750 110V* | 279 | 94  | 133 | 377 | 84 | 225 | 225                | 425 |
| T750 230V* | 279 | 94  | 133 | 377 | 84 | 225 | 225                | 425 |
| T1500 110V | 313 | 107 | 155 | 446 | 94 | 308 | 294                | 494 |
| T1500 230V | 313 | 107 | 155 | 446 | 94 | 308 | 294                | 494 |
| T1500 400V | 313 | 107 | 155 | 446 | 94 | 308 | 294                | 494 |